

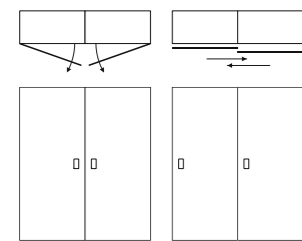
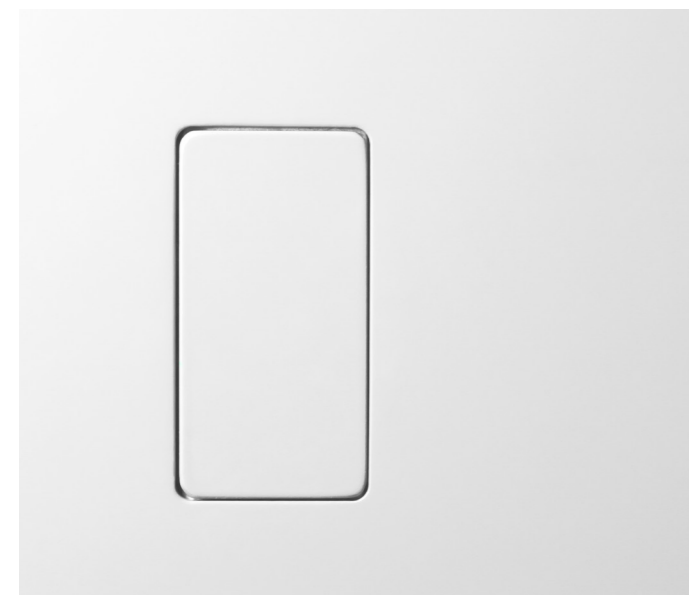


INVISIBLE

SINGLE

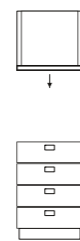
WARDROBES

Single is the concealed "handle" system for wardrobe doors and door systems that are closed from one side only.



DRAWERS

Single is the concealed 'handle' system for drawers.



WITH COVER FOR REAR SIDE

Mod.

250



DOOR THICKNESS (mm)

19 MIN



24 MAX

FOR UNDRILLED SIDES

Mod.

105

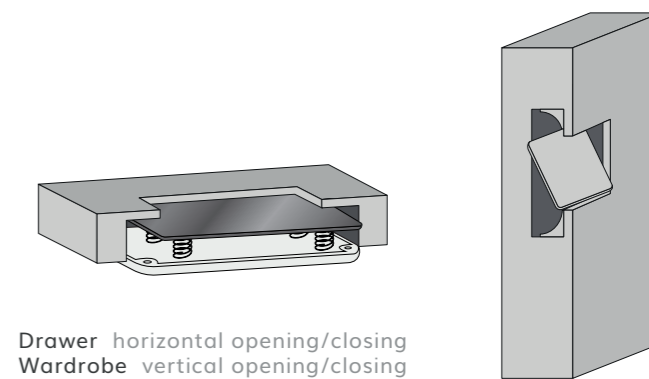


DOOR THICKNESS (mm)

27 MIN



48 MAX



Drawer horizontal opening/closing
Wardrobe vertical opening/closing